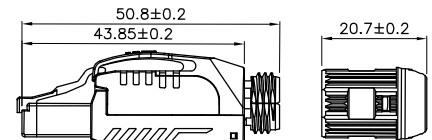
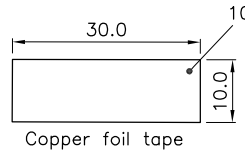
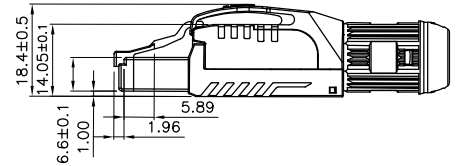
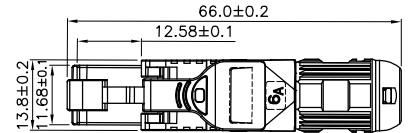
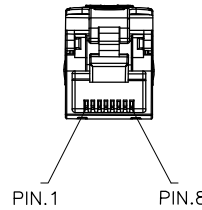
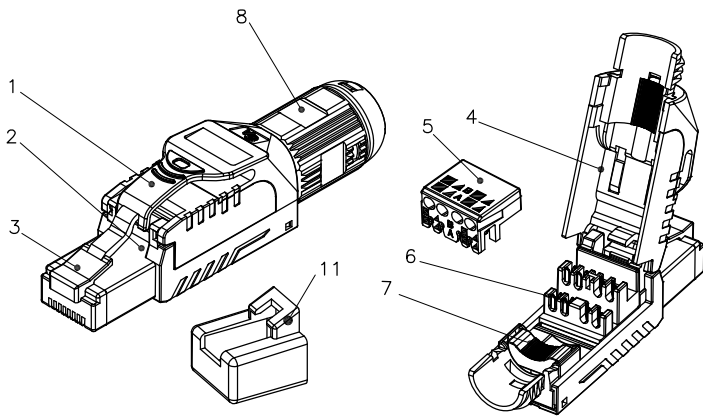


# Copper Structured Cabling Solutions

## Category 6A Plug

### Category 6A Toolless Plug

Global **SIX**



#### Specifications

1. Extractor: PC, UL 94V-2, Optional Colour
2. Housing: Zinc die-casting with Nickel plated
3. RJ45 Plug: 50µ gold plated surface contact area  
Phosphor bronze 100µ Nickel plated  
Housing: PC, UL 94V-2, Black Colour
4. Cover: Zinc die-casting with Nickel plated
5. Wire management bar
6. IDC: Terminal with tin plated titanium copper  
Housing: PC, UL 94V-2, Black Colour
7. Grounding Contact: Zinc die-casting with Nickel plated
8. Boot:  
Housing: Zinc die-casting with Nickel plated  
SR: PC, UL 94V-2, Transparent Colour  
CAP: PC, UL 94V-2, Black Colour
9. PCB, UL 94-V0
10. Copper foil tape
11. Dust cap: PE, Black Colour

#### Performance

1. T586A&B wiring scheme
2. Insertion Force: 30N max. (IEC 60603-7-5)
3. Retention Strength: 7.7kg between jack and plug
4. Operating Temperature: -10°C to 60°C (ISO/IEC 11801, ANSI/TIA568-C.2)
5. Mating Cycles: 750 cycles min. (ISO/IEC 11801, IEC 60603-7-5)
6. Suitable for 23-26AWG Stranded and Solid Cable
7. Suitable for cable jacket OD: 6.0mm-7.5mm



#### Part Number

G6-FTPL-C6A

Cat6A Toolless Plug

G6-FTCT-C6A

GlobalSIX Crimping Tool for Cat6A Field Termination Plug