

Cabinet Solutions

Freestanding Cabinet

19"600mm Freestanding Cabinets

Global **SIX**

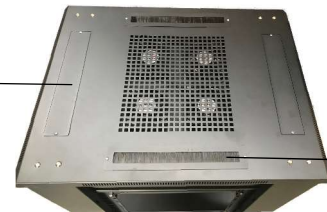


Features

- Welded steel front and back frame, can be flat packed, easy to transfer.
- Tempered glass front door with Perforated border or Perforated Door or Split Perforated door (180° turning capability)
- Solid Steel rear door with a round lock, or Perforated door or Split Perforated door
- Removable side panel with latch, easy to install, (optional lock).
- Adjustable feet and castor wheels.
- Four cable entries on the top two brush entries & two blank entries, entrance at the bottom with brush panels
- Advanced handle locks for front door.
- S-shaped mounting profiles, can move forward and back
- Earthing kit.
- Four Way fan Unit.
- Two Flat Shelves.
- 40 sets cages & nuts.
- Colour: Black (Available in different colours on Request).

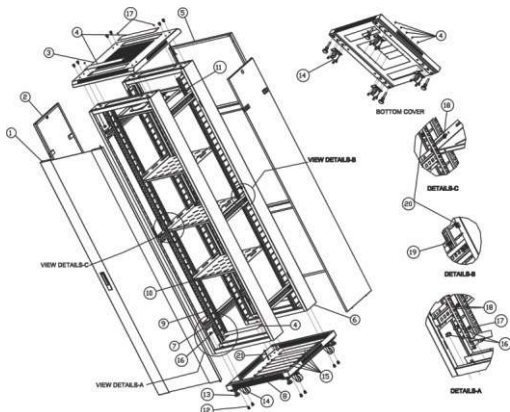
Specification	
Standard:	Comply with ANSI/EIA RS-310-D, IEC297-2, DIN41491, PART1, DIN41491.PART7,ETSI
Material:	SPCC quality cold rolled steel Thickness: Mounting profile: 2.0mm; mounting angle:1.5mm; others: 1.2mm;
Loading Capacity:	Static loading: 800kg(on the adjustable feet)
Rating:	IP20
Surface Finish:	Degreasing, pickling, Phosphating, Powder Coated
Packaging:	Flat Packed or Assembled

Blanking Panel (Top)

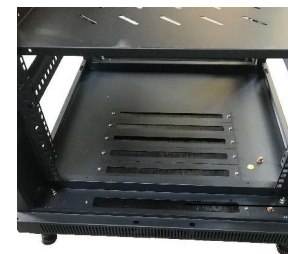


Brush Panel (Top)

Size	
Width:	19" 600mm
Heights:	16U, 22U, 27U, 37U, 42U, 47U
Depths:	600mm , 800mm , 1000mm & 1200mm



1. Front Door
2. Side Door
3. Top
4. Top Blank & Brush Entries
5. Back Door
6. Frame
7. Mounting Rail
8. Bottom
9. Mounting Profile
10. Fixed Shelf
11. Fan Tray
12. M8*12 inside Hexagonal Screw
13. Adjustable Feet
14. Castor Wheels
15. Bottom Brush Entries
16. M8 Flange Nut
17. M4*8 Self-Trapping Screw
18. M8*12 & Washer
19. M6 Cage & Nuts
20. L Type Side Doors Baffle
21. Cage nuts for Grounding



Brush Panel (Bottom)

Part Numbers

NCB-U-6D-FR 19"600mm Freestanding Cabinet

U - Height: 16=16U, 22=22U, 27=27U, 37=37U, 42=42U, 47=47U
 6 - Width: 6=600mm
 D - Depth: 8=800mm, 1=1000mm, 12=1200mm
 F - Front Door: G=Glass, P=Perforated, SP=Split Perforated
 R - Rear Door: S=Solid, P=Perforated, SP=Split Perforated