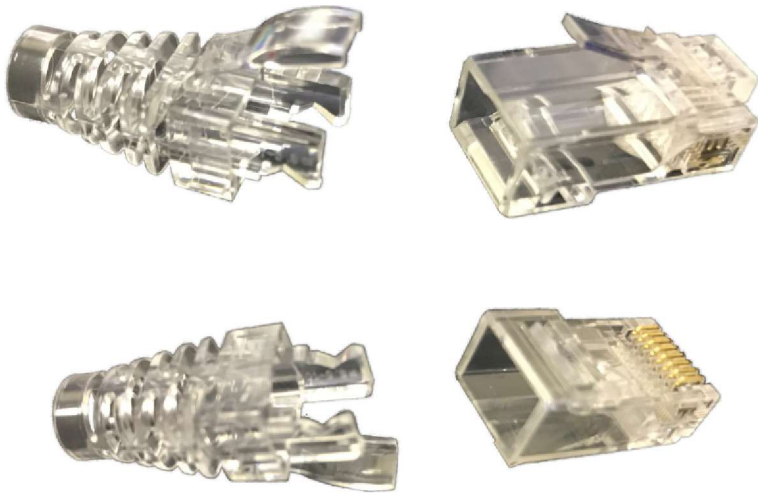


Copper Structured Cabling Solutions

Easy Plug RJ45 Connector

Global **SIX**



Electrical

- UL APPLICATIONS: 250 VOLTS AC MAX. AT 2 AMPS.
- DIELECTRIC WITHSTANDING VOLTAGE : 1000 VOLTS AC. 60 SEC.
- INSULATION RESISTANCE: 500 MΩ.
- CONTACT RESISTANCE: 20mΩ MAX.

Mechanical

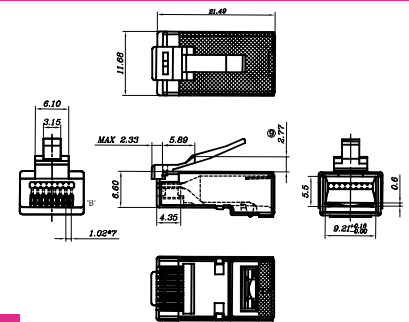
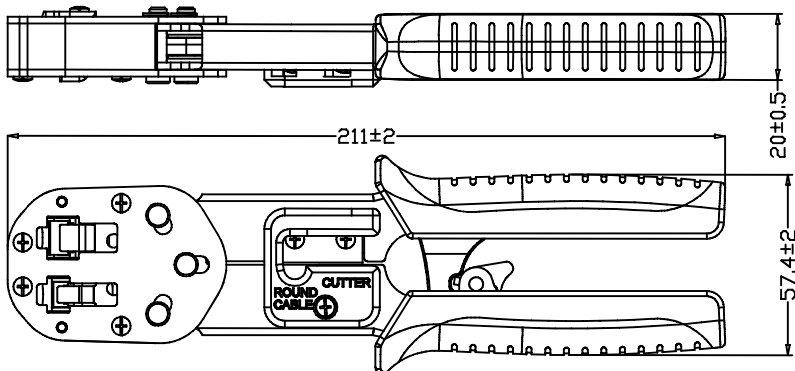
- STRAIN RELIEF: 20 POUND MIN.
- DURABILITY: 1200 MATING CYCLES.

Material

- HOUSING: POLYCARBONATE, UL94V-0 OR UL94V-2.
- CONTACT BLADE: COPPER ALLOY.
- GOLD PLATING: 50μ

Usage

- SUITABLE FOR STRANDED & SOLID WIRE 23AWG ~ 26 AWG.
- IT CAN BE USE OD from Ø0.93 ~ Ø1.04



Part Number	Description
G6-RJ45PLUG-C5S	Cat5e STP Easy Plug- 3 Prong
G6-RJ45PLUG-C5E	Cat5e UTP Easy Plug- 3 Prong
G6-RJ45PLUG-C6	Cat6 UTP Easy Plug- 3 Prong
G6-RJ45PLUG-C6S	Cat6 STP Easy Plug- 3 Prong
G6-RJ45BOOT	RJ45 Boot for Cat5e & Cat6 Easy Plug
G6-EASYTOOL	Easy Plug Crimping Tool